

james
MARTIN
by **WAHL**

Electric Knife ZX863X

Safety first.

The blades of this appliance are extremely sharp, take great care.

Never touch the blades while the appliance is plugged in.

Always read your instructions before using for the first time.



James Martin Electric Knife

Please read all instructions carefully to familiarise yourself with your new
Electric Knife before using.

Save these instructions for further reference.

For any further assistance or information call Customer Services on

T: 01227 740066

or visit

W: www.wahl.co.uk

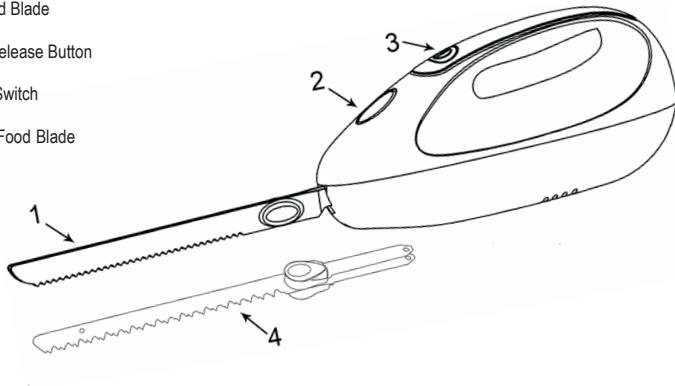
E: customer.services@wahl.co.uk

CONTENTS

PRODUCT DESCRIPTION	Page 3
IMPORTANT SAFEGUARDS	Page 4
OPERATING INSTRUCTIONS	Page 8
USING YOUR ELECTRIC KNIFE	Page 8
CLEANING & MAINTENANCE	Page 9
WIRING INSTRUCTIONS	Page 10
PRODUCT REGISTRATION	Page 11
GUARANTEE	Page 11

PRODUCT DESCRIPTION

1. Standard Blade
2. Blade Release Button
3. On/Off Switch
4. Frozen Food Blade



When using this electrical appliance, especially when children are present, basic safety precautions should always be observed including the following. Read all instructions carefully before using the Electric Knife.

IMPORTANT SAFE GUARDS

TO REDUCE THE RISK OF FIRE AND INJURY

1. This appliance can be used by persons with reduced physical, sensory or mental capabilities or lack of experience and knowledge, if they have been given supervision or instruction concerning use of the appliance in a safe way and understand the hazards involved by a person responsible for their safety.
2. This appliance shall not be used by children. Keep the appliance and its cord out of reach of children.
3. Ensure children do not play with this appliance.
4. Never touch or allow contact with moving parts while in motion. Keep hands, hair clothing and other utensils away from the moving parts during operation to prevent accident, injury or damage to the appliance.

5. Switch off the appliance and unplug from outlet when not in use, before putting on or taking off attachments and also before cleaning the appliance.
6. Never use your appliance without paying attention!
Always unplug the unit when not in use or left unattended.
7. Do not operate the appliance with a broken cord or plug, or if the appliance malfunctions, or is dropped or damaged in anyway.
8. Any servicing or repair must be performed by an authorised service representative.
9. Do not let the cord hang over the edge of the work surface or let it touch any hot surfaces.
10. The use of attachments that are not supplied by the manufacturer may cause fire, electric shock or injury and damage to the appliance.

11. To protect against risk of electrical shock, never immerse the unit or let it come into contact with water or any other liquids. Do not use the unit with wet hands. If the appliance should become wet, damp or fall in water, remove plug from mains socket immediately. Do not put your hands in the water.
12. Never carry the unit by its power cord.
13. Use this appliance only for its intended purpose.
14. The blades of this appliance are sharp, care is needed when handling the blades, especially when removing the blade from its mount and during cleaning, always handle the blades with your hand away from the cutting edge.
15. This appliance is intended to be used in household and similar applications such as:
 - Staff kitchen areas in shops, offices and other working environments

- Farm houses
- By clients in hotels, motels and other residential type environments
- Bed and breakfast type environments

IMPORTANT - This electric knife must not be used continuously for more than 6 minutes at a time.

IMPORTANT - When used for the first time there may be a slight burning smell, this is normal and will disappear with use.

OPERATING INSTRUCTIONS

BEFORE FIRST USE

Blades are sharp! Always handle blades with sharp edges away from hand and body.
Wash the stainless steel blades in warm, soapy water, then dry thoroughly.

ASSEMBLING & INSERTING BLADES

1. Remove the blades from the protective covering (see fig 1).
2. Ensure the blades are correctly assembled.
3. To assemble blades, hold the blade ends by the safety guards and slip the rivet into the key hole of the other blade.
4. Slide the blades together lightly, ensuring the tips are interlocked.

James Martin Electric Knife

⚠ WARNING: BEFORE INSERTING OR REMOVING THE BLADES, ALWAYS ENSURE THAT THE APPLIANCE IS UNPLUGGED.

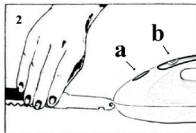
5. Holding the assembled blades by the safety guards, insert the blades into the blade slot, pushing until both blades are locked into position (see fig 2).

NOTE: Always ensure blades are fully secured into position.

6. To remove the blades, depress the blade release button with one hand (see fig 2A), at the same time use the other hand to pull the blades off using the safety guards.

USING YOUR ELECTRIC KNIFE

1. Interlock the blades together before inserting into the appliance.
2. Insert the plug into a power outlet and switch on. Ensure the cord is clear from the blades.
3. Holding the knife with the handle, depress the On/Off (see fig 2b) switch on the top to operate the knife, the knife will then operate.
4. When the carving is completed, remove the plug from the power outlet.



SLICING HINTS

- Always place food to be sliced on a wooden or plastic cutting board. Do not slice food on china, metal or bench tops as scratching may occur.
- Guide blades through food. A sawing action is not necessary. Do not force blades through food. However, with the blades for frozen food, a light sawing action will help the cutting performance.
- To maintain sharpness of blades, do not cut through bones, fruit pips, stones or any other hard substances or use the standard blade for frozen food.

- For best results when carving meat and poultry, allow cooked meat to stand for 10-15 minutes before slicing. This allows the juices to set and makes carving easier and neater.
- Before carving meat or chicken, remove any skewers. If desired, string may be left around the meat while carving.
- A carving fork is recommended for steadying the meat and assists in carving even slices
- Do not attempt to sharpen blades.

CLEANING AND MAINTENANCE

1. Ensure the power outlet is switched off and the plug is removed before removing the blades and/or cleaning.
2. Depress the Blade Release Button and hold the blades by the Safety Guards.
3. Ensure the cutting edge of the blades facing downwards. Remove the blades from the housing as previous instruction.
4. Unlock the blades by sliding them apart. Always hold blades by the Safety Guards when handling and cleaning.
5. Wash the blades in warm soapy water with a soft cloth or sponge, rinse thoroughly and dry completely before storing safely away.
6. The blades can be washed in a dishwasher, but as with all metal knives and cutlery we recommend they are removed as soon as the cycle is finished and stored safely away ensuring they are completely dry.
7. Do not use abrasive scouring pads or powders on the blades.
8. After cleaning, always store blades in plastic sleeve provided.
9. To clean motor housing wipe with a soft damp cloth.



WARNING: THE BLADES OF THIS APPLIANCE ARE VERY SHARP AND EXTREME CARE SHOULD BE TAKEN WHEN HANDLING AND USING THIS APPLIANCE.
NEGLIGENCE OR IMPROPER USE COULD RESULT IN PERSONAL INJURY.



WASTE ELECTRICAL & ELECTRONIC EQUIPMENT DIRECTIVE 2002/96/EC (WEEE)

At the end of this products life it should not be disposed of with general household waste.

Care should be taken to dispose of in a suitable manner in accordance with your Local Authority regulation.

WIRING



WARNING: IF THE SUPPLY CORD IS DAMAGED IT MUST BE REPLACED BY THE MANUFACTURERS SERVICE AGENT OR A SIMILARLY QUALIFIED PERSON IN ORDER TO AVOID A HAZARD.

The wires in the mains lead of this knife are coloured in accordance to the following code:

Blue Neutral (N)

Brown live (L)

This appliance is fitted with a 3 pin plug which has a 3amp fuse fitted.

If the plug supplied is not suitable for your socket or becomes damaged, it should be cut off and disposed of, and a suitable plug fitted as detailed below.

As the colours of the wires in the mains lead of this knife may not correspond with the colour markings identifying the terminals in your plug, proceed as follows.

The wire, which is coloured BLUE, must be connected to the terminal in the plug which is marked with the letter 'N' or coloured BLACK or BLUE.

The wire, which is coloured BROWN, must be connected to the terminal in the plug which is marked with the letter 'L' or coloured RED or BROWN.

DO NOT connect either wire to the terminal in the plug which is marked with the letter 'E' or has the Earth symbol, or coloured GREEN or YELLOW.

PRODUCT REGISTRATION

Wahl are constantly developing and launching new products in the UK. We would like to understand your product needs and expectations and we value any comments you may have. As part of Wahl Customer Care, we are offering you the chance to be kept up to date with the latest product launches, innovations and special offers.

Please take a minute to register your product online at www.wahl.co.uk.

GUARANTEE

This product is guaranteed against defects in material and workmanship for a period of 2 years from the date of original purchase or receipt as a gift.

Should this product become defective during the guarantee period, return it to the store of purchase together with your proof of purchase for repair or replacement.

Alternatively within the guarantee period you can return the product to Wahl (UK) Ltd who will repair any such defect or elect to replace the product or any part of it, without charge, provided that there is proof of purchase. Should a replacement be offered this will not extend the original guarantee period.

The guarantee becomes invalid in the case of misuse, alteration or repair by unauthorised persons.

This guarantee does not include blades, cables etc, which are consumable parts.

This product is designed for domestic use only and use within a professional environment will invalidate the guarantee.

This guarantee in no way affects your rights under statutory law in the United Kingdom.

Wahl (UK) Ltd
Herne Bay Trade Park
Herne Bay
Kent
CT6 8JZ
www.wahl.co.uk

Customer Service T: 01227 740066
Form No. ZB352
Rev3 04-17

james
MARTIN
by **WAHL**