



james
MARTIN



James Martin Hand Blender

Safety first

The blades of this appliance are extremely sharp, take great care.
Always unplug before adding or removing attachments.
Read all instructions before using for the first time.

James Martin Hand blender

Please read all instructions carefully to familiarise yourself with the Wahl James Martin Hand blender before using.

THIS HAND BLENDER IS INTENDED FOR HOUSEHOLD USE ONLY.

Save these instructions for further reference.

For any further assistance or information call customer services on

T: 01227 740066

or visit

W: www.wahl.co.uk

E: customer.services@wahl.co.uk

CONTENTS

GENERAL USER INFORMATION	Page 4
DESCRIPTION OF PARTS	Page 5
IMPORTANT SAFEGUARDS	Page 6
BEFORE FIRST USE	Page 7
HOW TO USE	Page 8
PROCESSING GUIDE	Page 11
CLEANING AND MAINTENANCE	Page 12
WIRING	Page 13
GUARANTEE	Page 14

GENERAL USER INFORMATION

Information about using the operation manual

- ▶ Before using the appliance for the first time, you must read and understand the operation manual completely.
- ▶ Consider the operation manual as part of the product and store it in a safe and accessible place.
- ▶ Include this operation manual if passing the appliance on to a third party.
- ▶ In the case of conflicts with national safety specifications or instructions, the national requirements must be followed.

Explanation of symbols and notes



DANGER

Danger of electric shock which may result in serious physical injury or death.



DANGER

Danger of explosion which may result in serious physical injury or death.



DANGER

Danger of fire which may result in serious physical injury or death.



WARNING

Warning of possible physical injury or a health risk.



CAUTION

Information about danger of material damage.

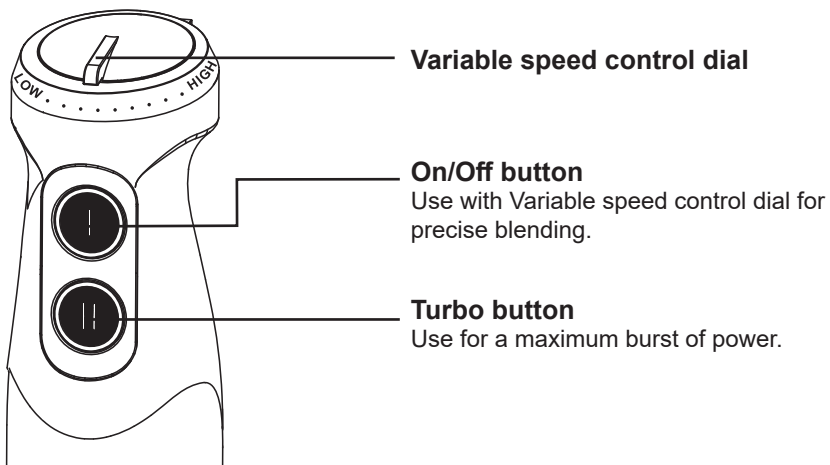
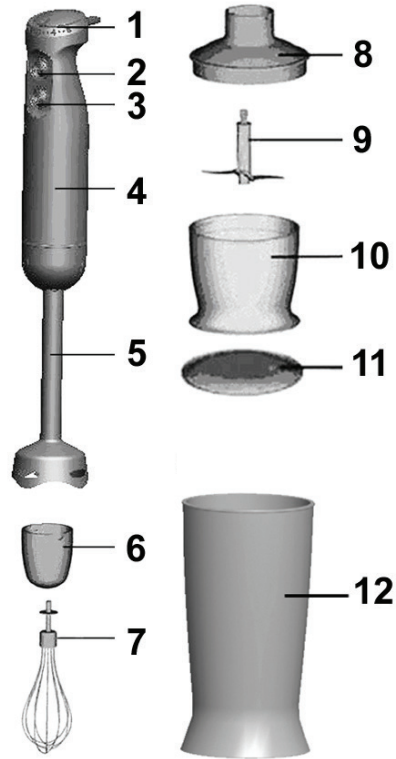


Note with useful information and tips.

- ▶ Action to be taken by owner.
- 1. Carry out these actions in the sequence described.
- List

DESCRIPTION OF PARTS

1. Variable speed control dial
2. On/Off button
3. Turbo button
4. Motor unit
5. Blending foot
6. Whisk holder
7. Whisk
8. Chopping bowl lid
9. Chopping blade
10. 500ml chopping bowl
11. Rubber mat/lid
12. 500ml Beaker



IMPORTANT SAFEGUARDS

Requirements on the user

- ▶ Read the instruction manual in full to familiarise yourself with the product before the first use.
- ▶ This appliance shall not be used by children. Keep the appliance and its cord out of reach of children. This appliance can be used by persons with reduced physical, sensory or mental capabilities or lack of experience and knowledge if they have been given supervision or instruction concerning use of the appliance in a safe way and understand the hazards involved. Children shall not play with the appliance.

Hazards

Please adhere to the following safety instructions!

Warning! Injuries due to incorrect handling

- ▶ Never touch or allow contact with moving parts while in motion. Keep hands, hair, clothing and other utensils away from the moving parts during operation to prevent accident, injury or damage to the appliance.
- ▶ Switch off the appliance and unplug from outlet when not in use, before putting on or taking off attachments and also before cleaning the appliance.
- ▶ Never use your appliance without paying attention! Always unplug the unit when not in use, even for a moment.
- ▶ Do not let the cord hang over the edge of the work surface or let it touch any hot surfaces.

Danger of electric shock which may result in serious physical injury.

- ▶ The use of attachments that are not supplied by the manufacturer may cause fire, electric shock or injury and damage to the appliance.
- ▶ Do not operate the appliance with a broken cord or plug, or if the appliance malfunctions, or is dropped or damaged in anyway.
- ▶ Any servicing or repair must be performed by Wahl (UK) Ltd or a suitably qualified professional.
- ▶ Do not use outdoors or in damp areas.
- ▶ To protect against risk of electrical shock, never immerse the unit or let it come into contact with water or any other liquids. Do not use the unit with wet hands. If the appliance should become wet, damp or fall in water, remove plug from mains socket immediately. Do not put your hands in the water.

⚠ Caution! Danger of product damage.

- ▶ Never carry the unit by its power cord.
- ▶ Use this appliance only for its intended purpose.

⚠ WARNING: ALWAYS ENSURE THE POWER CORD IS UNPLUGGED FROM THE POWER OUTLET BEFORE ADDING OR REMOVING ANY OF THE ATTACHMENTS.

⚠ IMPORTANT: Maximum operation should not exceed 60 seconds, 3 minutes rest time must be maintained after two consecutive cycles.

BEFORE YOUR FIRST USE

Remove all packaging and using the description of parts familiarise yourself with your appliance and the different parts. Check that all the accessories are complete and the unit is not damaged.

Wash the chopper and grinder cups and lid prior to use referring to the cleaning and maintenance section.

Before plugging in check that the voltage matches that shown on the rating label.

⚠ WARNING: THE BLADES ARE SHARP, HANDLE CAREFULLY. ENSURE THE BLENDER IS UNPLUGGED FROM THE POWER OUTLET BEFORE ADDING OR REMOVING ATTACHMENTS.

This appliance has a wide variety of uses and different attachments so you will need to select the desired attachments, depending on the task to be performed.

Blending foot (see description of parts) This is ideal for blending soups, making smoothies, sauces etc.

Whisk (see description of parts) This is ideal for whisking batters, eggs, cream etc.

Chopper (see description of parts) is ideal for chopping vegetables, nuts, breadcrumbs and much more.

HOW TO USE THE HAND BLENDER



USING THE HAND BLENDER

1. Attach the blender attachment onto the motor unit by aligning the markings and turning the blender attachment in an anti-clockwise direction until it clicks into place and is secured onto the motor unit. To disassemble, turn clockwise to undo.
2. Put the ingredients into the beaker, a container, mixing bowl, or pan which are sufficiently tall to avoid splashing.
3. Plug the hand blender into the power outlet
4. Lower the hand blender into the food as deeply as possible.
5. Then press and hold the On/Off button (I) to start operating. At the same time you can select your desired speed setting by adjusting the variable speed control.
6. The turbo (high speed) button operates the appliance at the highest speed.
7. Press and hold the Turbo button down.

NOTE: The variable speed control will not change the speed when you are using the turbo button.

8. Work through the ingredients with a gentle up and down movement of the blender.
9. Most food will require short bursts of blending to obtain the required results.
10. Do not operate the appliance for longer than 1 minute continuously or if the appliance becomes hot.
11. To stop simply release the button.
12. After use, unplug the blender and remove the blender attachment.

TIPS

Hold the blender straight and blend under the surface of the food for best results and to avoid splashing.

WARNING: Always remove saucepans from the heat, and do not blend boiling liquids.

Start with the low speed and move to the turbo speed if required.

Use short bursts of power to allow you to get the desired results and avoid over blending.

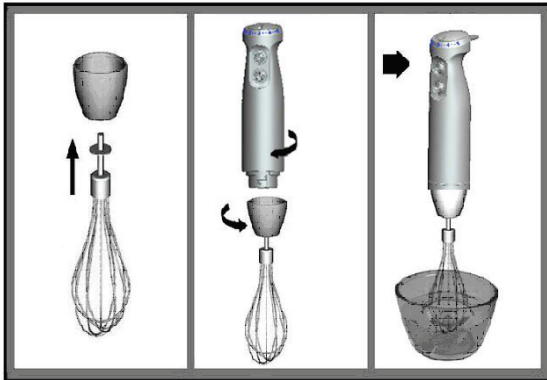
A tall narrow beaker is best for blending.

Frozen fruit is great for blending to create ice cold smoothies.

Always ensure that food pieces are not too large 2 cm or smaller is ideal.

Always ensure there is enough liquid to successfully blend.

HOW TO USE THE WHISK



USING THE WHISK ATTACHMENT

1. Attach the Whisk to the whisk holder then attach onto the motor unit by aligning the markings and turning in an anti-clockwise direction until it clicks into place and is secured onto the motor unit. To disassemble, turn clockwise to undo.
2. Place the whisk in to a bowl or mixing vessel and press the on button to mix the food. Start with a low speed and use the variable speed control and high speed (turbo) if required.
3. After use, unplug the blender and remove whisk attachment.

TIPS

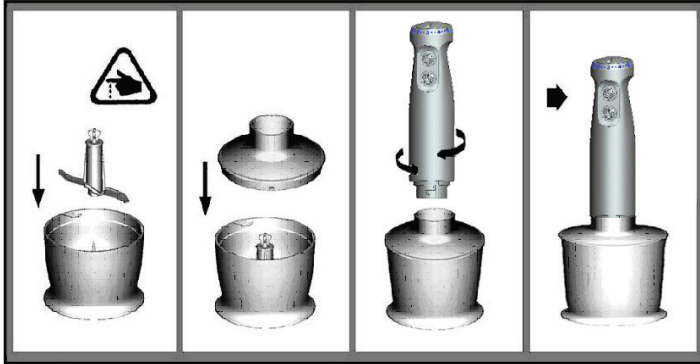
Use a wide vessel.

Start with the low speed and move to the turbo speed if required to ensure any dry ingredients are incorporated and a snow storm effect is avoided.

Only whip up to 4 egg whites.

Move the whisk clockwise.

HOW TO USE THE CHOPPER



USING THE CHOPPER ATTACHMENT

⚠ WARNING: THE BLADE IS SHARP! ALWAYS HOLD IT BY THE PLASTIC PART AND TAKE GREAT CARE NOT TO TOUCH THE BLADE.

1. Place the blade in the centre of the chopper bowl.
2. Place the food in the bowl, do not exceed the max marking on the bowl.
3. Place the lid onto the bowl
4. Attach the motor unit by aligning the markings and turning the blender attachment in an anti-clockwise direction until it clicks into place and is secured onto the motor unit.
5. Plug in the appliance and turn on.
6. After use, unplug the blender and remove from the chopper attachment.
7. Carefully remove the blade before decanting the ingredients.

⚠ IMPORTANT: The max operation time should not exceed 1 minute, and a minimum of 2 minutes rest time must be maintained between two consecutive cycles.

TIPS

Do not exceed the max mark on the bowl.

Food will process quicker and more easily if roughly chopped to approx 2cm pieces. A pulse action can be achieved by pushing and releasing the On/Off switch, use this for maximum control to achieve the required consistency. You can always process for a bit longer if required.

Do not chop extremely hard food such as nutmeg coffee beans etc.

PROCESSING GUIDE

500ml chopper bowl				
Food	Maximum	Operation times	Preparation	Speed
meat	250g	15-20sec	1~2cm	Turbo
nut	100g	15-20sec	/	Turbo
cheese	100g	15-20sec	1~2cm	Turbo
bread	80g	8sec	1~2cm	Turbo
onions	150g	8sec	1~2cm	Turbo
biscuits	150g	8sec	1~2cm	Turbo

CLEANING AND MAINTENANCE

Unplug the appliance and remove the attachments before cleaning.

⚠ WARNING: NEVER IMMERSE THE MOTOR HOUSING IN WATER OR ANY OTHER LIQUID.

⚠ WARNING: THE BLADES OF THIS APPLIANCE ARE VERY SHARP, HANDLE WITH CARE.

All parts other than the motor housing and chopper attachment lid can be cleaned in the dish washer.

QUICK CLEANING

Hold the blender with the blending foot or whisk attached in the beaker half filled with water and turn on for a few seconds. This can be done between and after processing tasks to avoid food drying on the blades, allowing for easy cleaning.

CLEANING

1. Detach the blender foot and rinse under running water, do not use abrasive cleaners or detergents.
After cleaning place it upright so that the water can drain out.
2. Wash the chopper bowl, chopper blade, whisk and beaker in warm soapy water.
3. Wipe the motor unit and lid of the chopper attachment with a damp cloth.
4. Dry all parts thoroughly.



WIRING

⚠ WARNING: IF THE SUPPLY CORD IS DAMAGED IT MUST BE REPLACED BY THE MANUFACTURERS SERVICE AGENT OR A SIMILARLY QUALIFIED PERSON IN ORDER TO AVOID A HAZARD.

The wires in the mains lead of this Food Processor are coloured in accordance to the following code:

Blue Neutral (N) Brown live (L)

This appliance is fitted with a 3 pin plug which has a 5 amp fuse fitted.

If the plug supplied is not suitable for your socket or becomes damaged, it should be cut off and disposed of, and a suitable plug fitted as detailed below.

As the colours of the wires in the mains lead of this Food Processor may not correspond with the colour markings identifying the terminals in your plug, proceed as follows.

The wire which is coloured BLUE must be connected to the terminal in the plug which is marked with the letter 'N' or coloured BLACK or BLUE.

The wire which is coloured BROWN must be connected to the terminal in the plug which is marked with the letter 'L' or coloured RED or BROWN.

DO NOT connect either wire to the terminal in the plug which is marked with the letter 'E' or has the Earth symbol, or coloured GREEN or GREEN/YELLOW

WASTE ELECTRICAL & ELECTRONIC EQUIPMENT DIRECTIVE 2002/96/EC

(WEEE)



At the end of this products life it should not be disposed of with general household waste.

Care should be taken to dispose of in a suitable manner in accordance with your Local Authority regulation.



GUARANTEE

This product is guaranteed against defects in material and workmanship for a period of 2 years from the date of original purchase or receipt as a gift.

Should this product become defective during the guarantee period, return it to the store of purchase together with your proof of purchase for repair or replacement

Alternatively within the guarantee period you can return the product to Wahl (UK) Ltd who will repair any such defect or elect to replace the product or any part of it, without charge, provided that there is proof of purchase. Should a replacement be offered this will not extend the original guarantee period.

The guarantee becomes invalid in the case of misuse, alteration or repair by unauthorised persons.

This product is designed for domestic use only and use within a professional environment will invalidate the guarantee.

This guarantee in no way affects your rights under statutory law in the United Kingdom.

WAHL (UK) LTD
Sterling House
Clipper Close
Ramsgate, Kent
CT12 5GG
www.wahl.co.uk

Customer Service T: 01227 740066

Form No. ZB908
Rev.0 04-19



james
MARTIN