



james
MARTIN



James Martin Table Blender

Safety first
Never touch the blades while the appliance is plugged in.
Read all instructions before using for the first time.

James Martin Hand blender

Please read all instructions carefully to familiarise yourself with the Wahl James Martin Table Blender before using.

THIS TABLE BLENDER IS INTENDED FOR HOUSEHOLD USE ONLY.

Save these instructions for further reference.

For any further assistance or information call customer services on

T: 01227 740066

or visit

W: www.wahl.co.uk

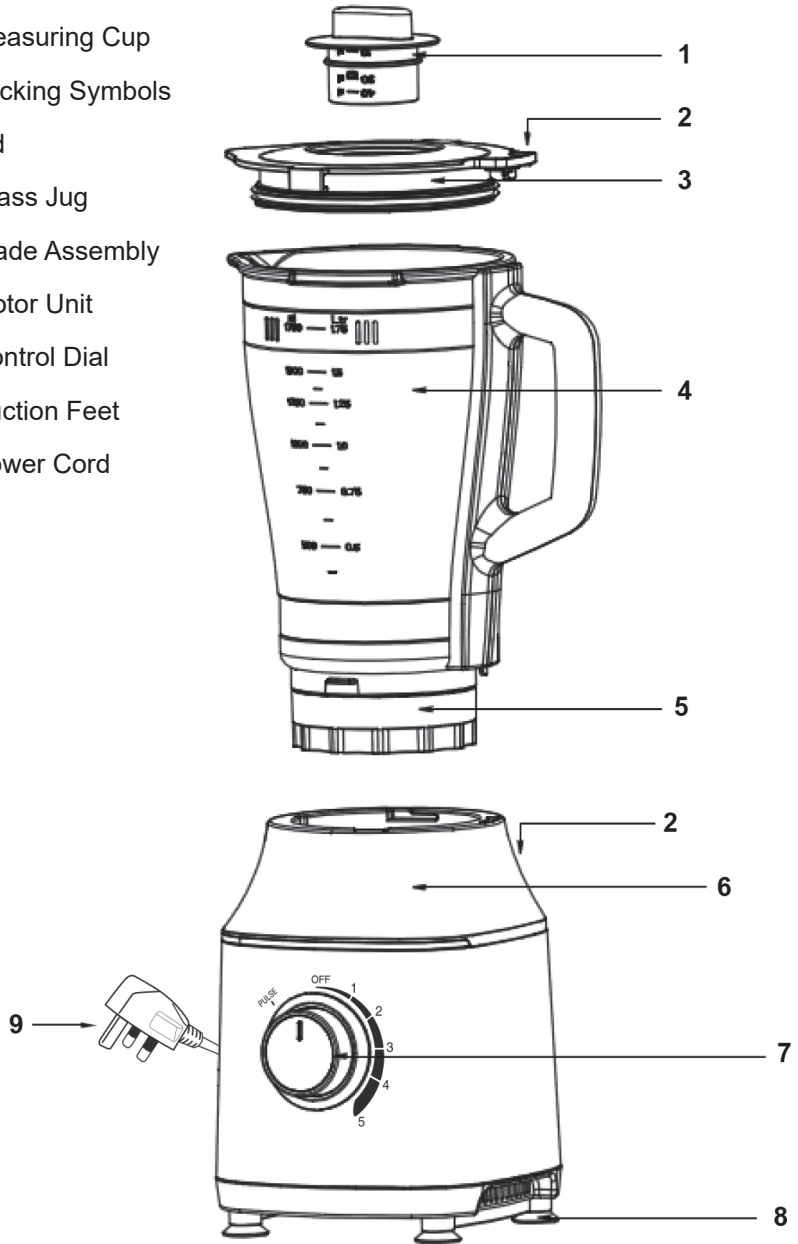
E: customer.services@wahl.co.uk

CONTENTS

DESCRIPTION OF PARTS	Page 4
IMPORTANT SAFEGUARDS	Page 5
USING YOUR BLENDER	Page 7
CLEANING AND MAINTENANCE	Page 11
WIRING	Page 12
GUARANTEE	Page 13

DESCRIPTION OF PARTS

1. Measuring Cup
2. Locking Symbols
3. Lid
4. Glass Jug
5. Blade Assembly
6. Motor Unit
7. Control Dial
8. Suction Feet
9. Power Cord



Please read this instruction manual carefully and familiarise yourself with your new Table Blender before using for the first time. Please retain these instructions for future reference.

Explanation of symbols and notes



DANGER

Danger of electric shock which may result in serious physical injury or death.



DANGER

Danger of explosion which may result in serious physical injury or death.



WARNING

Warning of possible physical injury or a health risk.



CAUTION

Information about danger of material damage.



Note with useful information and tips.

- ▶ Action to be taken by owner.
- 1. Carry out these actions in the sequence described.
- List

IMPORTANT SAFEGUARDS

When using your electrical appliance, basic safety precautions should always be followed, including the following requirements:

- ▶ Read the instruction manual in full to familiarise yourself with the product before the first use.
- ▶ This appliance shall not be used by children. Keep the appliance and its cord out of reach of children.
- ▶ This appliance can be used by persons with reduced physical, sensory or mental capabilities, or lack of experience and knowledge, if they have been given supervision or instruction concerning use of the appliance in a safe way and understand the hazards involved.
- ▶ Children shall not play with the appliance.
- ▶ Use this appliance only for its intended purpose.

Hazards



Danger! Electric shock due to damage to appliance.

- ▶ Do not operate the appliance with a broken cord or plug, or if the appliance malfunctions, or is dropped or damaged in anyway.
- ▶ Any servicing or repair must be performed by Wahl (UK) LTD or a suitably qualified professional.
- ▶ Only use the attachments supplied with this product. The use of attachments that are not supplied by the manufacturer may cause fire, electric shock or injury and damage to the appliance.



Danger! Electric shock due to penetration of liquid

- ▶ To protect against risk of electrical shock, never immerse the unit or let it come into contact with water or any other liquids. Do not use the unit with wet hands. If the appliance should become wet, damp or fall in water, remove plug from mains socket immediately. Do not put your hands in the water.



Warning! Injuries due to incorrect handling

- ▶ Switch off the appliance and unplug from outlet when not in use, before putting on or taking off attachments and also before cleaning the appliance.
- ▶ Never touch or allow contact with moving parts while in motion, keep hands, hair, clothing and other utensils away from the moving parts during operation to prevent an accident, injury or damage to the appliance.
- ▶ Always cool hot liquids before blending.
- ▶ The blades are extremely sharp, handle with care.
- ▶ Only use the unit with the lid tightly closed.



Caution! Danger of product damage


- ▶ Never use your appliance without paying attention! Always unplug this appliance from the electricity outlet immediately after use or when left unattended.
- ▶ Do not let the cord hang over the edge of the work surface or let it touch any hot surfaces.
- ▶ Do not wrap the cord around the appliance.
- ▶ Do not use outdoors or in damp areas.
- ▶ Never carry the unit by its power cord.
- ▶ Do not drop or insert any object into any opening.
- ▶ Never use the appliance to blend anything other than foods.

This appliance is intended to be used in household and similar applications such as:

- ▶ Staff kitchen areas in shops, offices and other working environments
- ▶ Farm houses
- ▶ By clients in hotels, motels and other residential type environments
- ▶ Bed and breakfast type environments

i NOTE: This appliance is designed to be used in short bursts for small amounts of time which is ideal for the average domestic use. Do not use the unit continuously for more than 2 minutes.

USING YOUR TABLE BLENDER

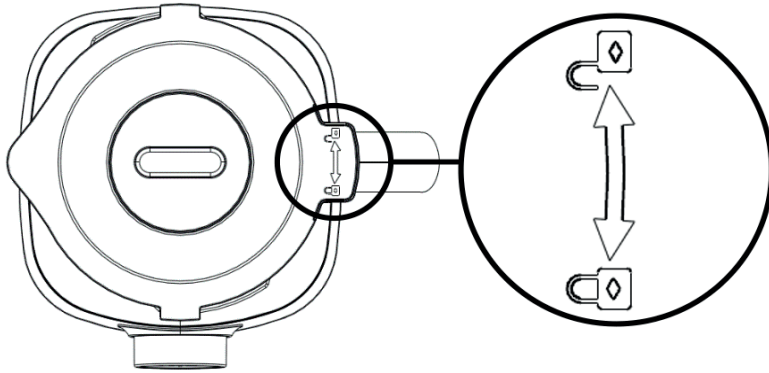
1. Place the appliance on a stable dry surface.
2. Align the jug handle with the locking symbols  on the motor housing, fit the blender jug onto the main body, and turn in a clockwise direction until it locks securely into place.

i NOTE: There is a safety interlock device at the bottom of jug, if the jug is not assembled correctly the blender will not operate.

3. Fill the jug with the desired foods. Do not exceed the maximum fill level (1.75L) as indicated on the jug. The ingredients to be blended should comfortably cover the level of the blades to enable effective blending.

i NOTE: It is recommended to cut meat, vegetables or other food into small pieces before blending. Large quantities of food should be processed in small batches, do not overload. If the ingredients are very watery, we advise you not to fill above the 1.25L level.

4. Place the lid onto the jug and turn it clockwise until it clicks, ensuring it is locked securely into place. Use the locking symbols on the lid for reference.



i NOTE: There is a safety interlock device. If the lid is not fitted correctly, the blender will not operate.

5. Insert the measuring cup into the lid and turn in a clockwise direction until it locks into place.
6. Ensure the control dial is in the OFF position, then plug the unit into the mains socket.
7. This unit has a safety feature and will not work if the jug is not installed on the main body properly and the lid is not in the correct position.
8. Turn the control dial to the required speed setting.

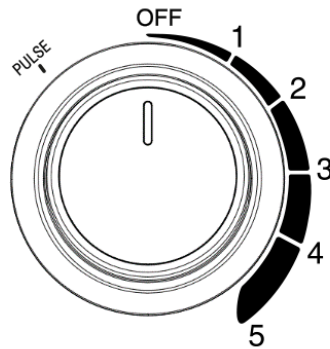
CONTROL SETTINGS

1-5 - Blending on the speed settings 1-5 will blend continuously until you return the switch to the OFF position.

OFF - Ensure the control dial is on the OFF position before plugging in, unplugging or removing the jug.

PULSE – The pulse setting will operate at the highest speed, and will only operate when you are holding the switch, as soon as you release the switch the appliance will stop.

This is ideal for when you want to roughly blend ingredients and you require control so that you don't over blend. It is also ideal for crushing ice by holding on for a few seconds, then releasing, repeat this process until your ice is at the desired consistency.



! **IMPORTANT:** Do not let the appliance run while empty.

! **WARNING:** THE BLADE IS SHARP.
ALWAYS TAKE GREAT CARE.

TIPS FOR PREPARING FOOD

1. Remove all hard and undesirable food components e.g. skin, pips, stalks, stones etc.
2. Fresh herbs, leaf vegetables are best processed using short repetitive bursts. You may find that the addition of a little liquid will help the process.
3. Do not overfill. For even results blend in small quantities.
4. You will get more consistency if food is in similar size pieces to start with.
5. Some foods may stick to the sides as they are processed and may need to be returned to the centre of the jug.
6. For very thick liquid ingredients we recommend that you pulse the blender
7. You may need to add extra liquid to allow the ingredients to blend effectively.



WARNING: ALLOW ANY HOT LIQUIDS TO COOL TO A LUKE-WARM TEMPERATURE BEFORE BLENDING.



WARNING: DO NOT OPEN THE LID OF THE BLENDER WHILE PLUGGED IN.



NOTE: If blending warm liquids remove the measuring cup and cover with a folded tea towel to avoid any spillage, start blending at a low speed, increasing to high speed if required. The pulse setting is not recommended for warm liquids. Do not blend warm liquids over the 1L level, and always take care to avoid contact with any steam or liquids.

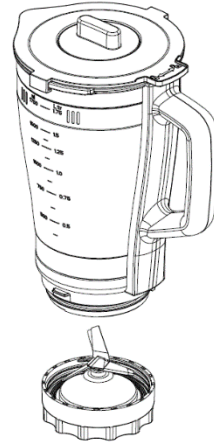
CLEANING AND MAINTENANCE

Before cleaning always unplug the appliance

1. The motor unit must not be immersed in water or any other liquid.
2. Wipe the motor unit with a slightly damp cloth if necessary.

NON-ELECTRICAL PARTS

1. Fill the jug half-full with warm water and a little washing up liquid and run the unit on speed 1 position and then hold and release the pulse button a few times until the jug is clean.
2. Unplug the appliance.
3. Dismantle all detachable parts.
4. Remove the jug from the motor unit and rinse under running water, if required you can detach the blade assembly from the glass jug and seal ring and rinse all parts under running water.



⚠ WARNING: THE BLADE IS SHARP. ALWAYS TAKE GREAT CARE. DRY AND STORE SAFELY AWAY IMMEDIATELY AFTER CLEANING.

5. Dry completely before re-assembly.

⚠ WARNING: NEVER IMMERSE THE MOTOR UNIT IN WATER OR ANY OTHER LIQUID.

⚠ IMPORTANT: Always clean the removable parts immediately after use, dry and store away.

📌 NOTE: Do not use abrasive cleansers

If any problem has been encountered during use, never disassemble the Motor Unit by yourself, there are no user serviceable parts inside. Contact Wahl (UK) Ltd or a similarly qualified professional.

WIRING



WARNING: IF THE SUPPLY CORD IS DAMAGED IT MUST BE REPLACED BY WAHL (UK) LTD OR A SIMILARLY QUALIFIED PROFESSIONAL IN ORDER TO AVOID A HAZARD.

The wires in the mains lead of this blender are coloured in accordance to the following code:

Blue Neutral (**N**) Brown live (**L**)

This appliance is fitted with a 3 pin plug which has a 13 amp fuse fitted.

If the plug supplied is not suitable for your socket or becomes damaged, it should be cut off and disposed of, and a suitable plug fitted as detailed below.

As the colours of the wires in the mains lead of this blender may not correspond with the colour markings identifying the terminals in your plug, proceed as follows.

The wire which is coloured BLUE must be connected to the terminal in the plug which is marked with the letter 'N' or coloured BLACK or BLUE.

The wire which is coloured BROWN must be connected to the terminal in the plug which is marked with the letter 'L' or coloured RED or BROWN.

DO NOT connect either wire to the terminal in the plug which is marked with the letter 'E' or has the Earth symbol, or coloured GREEN or GREEN/YELLOW



WASTE ELECTRICAL & ELECTRONIC EQUIPMENT DIRECTIVE 2002/96/EC (WEEE)

At the end of this products life it should not be disposed of with general household waste.

Care should be taken to dispose of in a suitable manner in accordance with your Local Authority regulation.

GUARANTEE

This product is guaranteed against defects in material and workmanship for a period of 2 years from the date of original purchase or receipt as a gift.

Should this product become defective during the guarantee period, return it to the store of purchase together with your proof of purchase for repair or replacement

Alternatively within the guarantee period you can return the product to Wahl (UK) Ltd who will repair any such defect or elect to replace the product or any part of it, without charge, provided that there is proof of purchase. Should a replacement be offered this will not extend the original guarantee period.

The guarantee becomes invalid in the case of misuse, alteration or repair by unauthorised persons.

This product is designed for domestic use only and use within a professional environment will invalidate the guarantee.
This guarantee in no way affects your rights under statutory law in the United Kingdom.

WAHL (UK) LTD
Sterling House
Clipper Close
Ramsgate, Kent
CT12 5GG
www.wahl.co.uk

Customer Service T: 01227 740066

Form No. ZB929
Rev.0 07-19



james
MARTIN