

## CLEANING & OILING

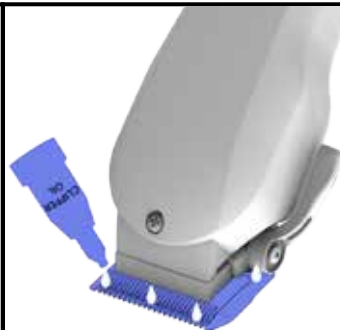
DO NOT IMMERSE IN WATER!  
NEVER USE SOLVENTS OR ABRASIVES



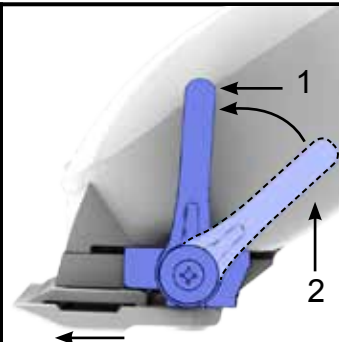
After each use brush the hair from the blades.  
Brush in the direction of the arrow.  
Hair can accumulate between the blades, if this happens you may need to remove them (See blade replacement).



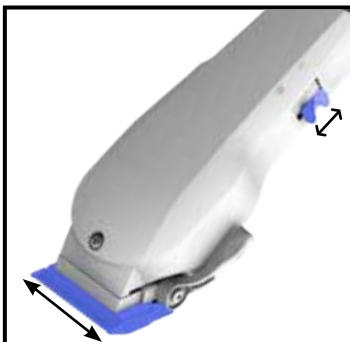
Once free from hair, use Wahl hygienic spray [Part number ZX495] this is important when the clipper is being used in a professional environment to prevent cross contamination. Wipe the blade with a soft slightly damp cloth to remove any excess.



To maintain cutting quality, oil the blade after each use. Always use Wahl clipper oil on the blades. [Part number 3310] Put three drops of oil on the teeth of the blade and two on the back of the blade



If the clipper has a taper arm, move this back and forth to work the oil through



If there is no taper arm, turn the clipper on for a couple of seconds to dissipate the oil